



[DBPR HOME](#) | 
 [ABOUT DBPR](#) | 
 [DBPR DIVISIONS](#) | 
 [CONTACT DBPR](#)

[BCIS Home](#) | 
 [Log In](#) | 
 [User Registration](#) | 
 [Hot Topics](#) | 
 [Submit Surcharge](#) | 
 [Stats & Facts](#) | 
 [Publications](#) | 
 [Contact Us](#) | 
 [BCIS Site Map](#) | 
 [Links](#) | 
 [Search](#)



**Product Approval**  
USER: Public User

[Product Approval Menu](#) > 
 [Product or Application Search](#) > 
 [Application List](#) > 
 **Application Detail**



FL #	FL21835-R9
Application Type	Revision
Code Version	2023
Application Status	Approved

**FL- 21835.1**

Comments  
Archived

Product Manufacturer	E.S. Windows, Inc.
Address/Phone/Email	10653 NE Quaybridge Ct. Miami, FL 33138 (305) 624-7775 achamorro@eswillc.com

Authorized Signature	Jalal Farooq veronica@afceng.com
----------------------	-------------------------------------

Technical Representative	Samir Sabagh
Address/Phone/Email	3550 NW 49th St. Miami, FL 33142 (305) 638-5151 ssabagh@energiasolarsa.com

Quality Assurance Representative  
Address/Phone/Email

Category	Exterior Doors
Subcategory	Swinging Exterior Door Assemblies

Compliance Method	Evaluation Report from a Florida Registered Architect or a Licensed Florida Professional Engineer
	<input type="checkbox"/> Evaluation Report - Hardcopy Received

Florida Engineer or Architect Name who developed the Evaluation Report	Jalal Farooq
Florida License	PE-81223
Quality Assurance Entity	Keystone Certifications, Inc.
Quality Assurance Contract Expiration Date	07/16/2025
Validated By	Abel Carrasco, PE
	<input type="checkbox"/> Validation Checklist - Hardcopy Received

Certificate of Independence [FL21835\\_R9\\_COI\\_SS - Certificate of Independence.pdf](#)

Referenced Standard and Year (of Standard)	<b>Standard</b>	<b>Year</b>
	TAS 201	1994
	TAS 202	1994
	TAS 203	1994

Equivalence of Product Standards  
Certified By

Sections from the Code

Product Approval Method Method 1 Option D

Date Submitted 08/02/2023  
 Date Validated 08/07/2023  
 Date Pending FBC Approval 08/09/2023  
 Date Approved 10/17/2023

**Summary of Products**

FL #	Model, Number or Name	Description
21835.1	Series ES-46T Thermal Aluminum Outswing Entrance Door	Small missile impact resistant thermal aluminum outswing entrance door.
<b>Limits of Use</b> Approved for use in HVHZ: Yes Approved for use outside HVHZ: Yes Impact Resistant: Yes Design Pressure: +100/-120 Other: See attached drawing W17-08 for installation details.		<b>Installation Instructions</b> <a href="#">FL21835 R9 II SS - ES-46T OS Door (SMI) - DWG W17-08 2023.pdf</a> Verified By: Jalal Farooq PE # 81223 Created by Independent Third Party: Yes <b>Evaluation Reports</b> <a href="#">FL21835 R9 AE SS - ES-46T OS Door (SMI) - PAE 2023.pdf</a> Created by Independent Third Party: Yes
21835.2	Series ES-46T Thermal Aluminum Outswing Entrance Door	Large missile impact resistant thermal aluminum outswing entrance door.
<b>Limits of Use</b> Approved for use in HVHZ: Yes Approved for use outside HVHZ: Yes Impact Resistant: Yes Design Pressure: +100/-120 Other: See attached drawing W17-07 for installation details and span vs load combinations.		<b>Installation Instructions</b> <a href="#">FL21835 R9 II SS - ES-46T OS Door (LMI) - DWG W17-07 2023.pdf</a> Verified By: Jalal Farooq PE # 81223 Created by Independent Third Party: Yes <b>Evaluation Reports</b> <a href="#">FL21835 R9 AE SS - ES-46T OS Door (LMI) - PAE 2023.pdf</a> Created by Independent Third Party: Yes



Contact Us :: 2601 Blair Stone Road, Tallahassee FL 32399 Phone: 850-487-1824

The State of Florida is an AA/EEO employer. [Copyright 2007-2013 State of Florida](#). :: [Privacy Statement](#) :: [Accessibility Statement](#) :: [Refund Statement](#)

Under Florida law, email addresses are public records. If you do not want your e-mail address released in response to a public-records request, do not send electronic mail to this entity. Instead, contact the office by phone or by traditional mail. If you have any questions, please contact 850.487.1395. \*Pursuant to Section 455.275(1), Florida Statutes, effective October 1, 2012, licensees licensed under Chapter 455, F.S. must provide the Department with an email address if they have one. The emails provided may be used for official communication with the licensee. However email addresses are public record. If you do not wish to supply a personal address, please provide the Department with an email address which can be made available to the public. To determine if you are a licensee under Chapter 455, F.S., please click [here](#).

Product Approval Accepts:



Credit Card  
**Safe**



NOTE:  
GLASS CAPACITIES ARE BASED ON  
ASTM E1300-09 (3 SEC. GUSTS).

THESE DOORS ARE RATED FOR SMALL MISSILE IMPACT.  
F.B.C. APPROVED IMPACT RESISTANT SHUTTERS REQUIRED  
FOR INSTALLATIONS UP TO 30 FT. OF GRADE.  
SHUTTERS NOT REQD. FOR INSTALLATIONS ABOVE 30 FT. OF GRADE.

**ES-46T THERMAL**

**ALUMINUM OUTSWING ENTRANCE DOOR**

THIS PRODUCT HAS BEEN DESIGNED AND TESTED TO COMPLY WITH THE  
REQUIREMENTS OF THE 2020 (7TH EDITION)/2023 (8TH EDITION) FLORIDA  
BUILDING CODE INCLUDING HIGH VELOCITY HURRICANE ZONE (HVHZ).

1BY OR 2BY WOOD BUCKS & BUCK FASTENERS BY OTHERS, MUST BE  
DESIGNED AND INSTALLED ADEQUATELY TO TRANSFER APPLIED PRODUCT  
LOADS TO THE BUILDING STRUCTURE.

ANCHORS SHALL BE CORROSION RESISTANT, SPACED AS SHOWN ON DETAILS  
AND INSTALLED PER MANUF'S INSTRUCTIONS. SPECIFIED EMBEDMENT TO BASE  
MATERIAL SHALL BE BEYOND WALL DRESSING OR STUCCO.

A LOAD DURATION INCREASE IS USED IN DESIGN OF ANCHORS INTO WOOD ONLY.  
ALL SHIMS TO BE HIGH IMPACT, NON-METALLIC AND NON-COMPRESSIBLE.

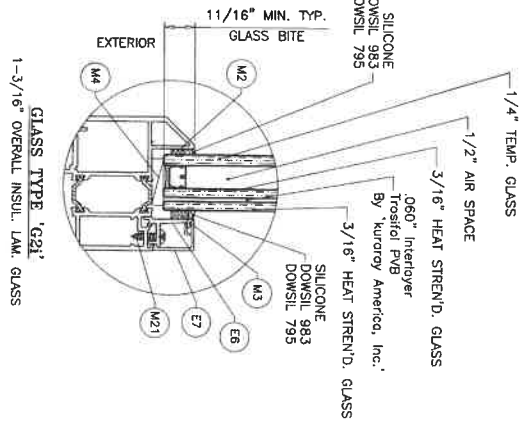
MATERIALS INCLUDING BUT NOT LIMITED TO STEEL/METAL SCREWS, THAT  
COME INTO CONTACT WITH OTHER DISSIMILAR MATERIALS SHALL MEET THE  
REQUIREMENTS OF THE 2020/2023 FLORIDA BLDG. CODE & ADOPTED STANDARDS.

THIS PRODUCT APPROVAL IS GENERIC AND DOES NOT PROVIDE INFORMATION  
FOR A SITE SPECIFIC PROJECT, I.E. LIFE SAFETY OF THIS PRODUCT, ADEQUACY  
OF STRUCTURE RECEIVING THIS PRODUCT AND SEALING AROUND OPENING FOR  
WATER INFILTRATION RESISTANCE ETC.

CONDITIONS NOT SHOWN IN THIS DRAWING ARE TO BE ANALYZED SEPARATELY,  
AND TO BE REVIEWED BY BUILDING OFFICIAL.

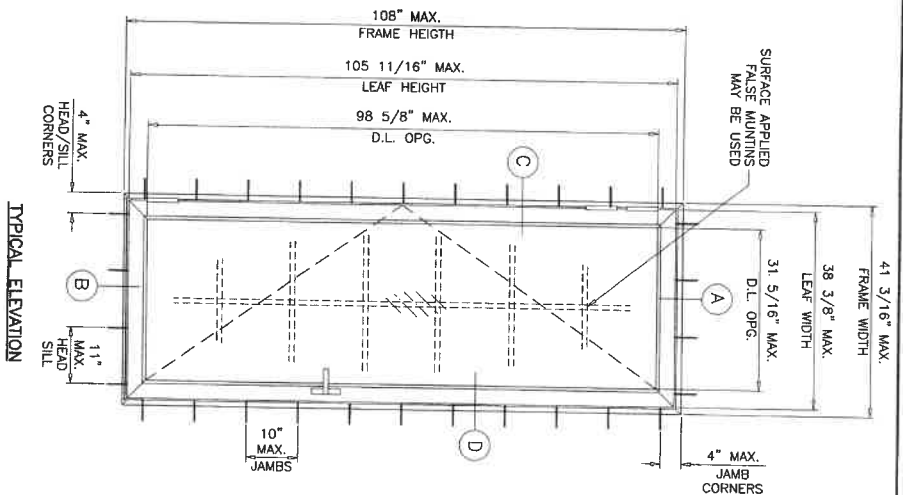
DESIGN LOADS SHOWN ARE BASED ON ALLOWABLE STRESS DESIGN (ASD).  
MANUFACTURER'S LABEL SHALL BE LOCATED ON A READILY VISIBLE LOCATION  
IN ACCORDANCE WITH SECTION 1709.9.3 OF FLORIDA BUILDING CODE.  
LABELING TO COMPLY WITH SECTION 1709.9.2.

DOORS APPROVED FOR INSTALLATIONS WHERE WATER INFILTRATION  
RESISTANCE IS REQUIRED.



1/2" AIR SPACE CONSISTING OF:  
SPACER:  
'HELIX' LOW PROFILE ALUMINUM SPACER  
BY 'LINGERMANN GMBH'  
AROUND THE PERIMETER OF THE GLASS.  
PERIMETER SEALANT:  
SILICONE  
DOWSIL 791

GLASS D.L.O. FORMULAE:  
D.L.O. WIDTH = FRAME WIDTH - 9.750"  
D.L.O. HEIGHT = FRAME HEIGHT - 9.375"



GLASS TYPE 'G21'  
MAXIMUM DESIGN LOAD RATING = + 100.0 PSF  
(FOR SIZES SHOWN ABOVE OR SMALLER) - 120.0 PSF  
AS PERMITTED BY FBC

DOOR HEIGHT AND WIDTH SIZE MUST COMPLY  
EGRESS REQUIREMENTS PER FBC AS APPLICABLE.  
Sealed: 8/1/2023  
FL #21835

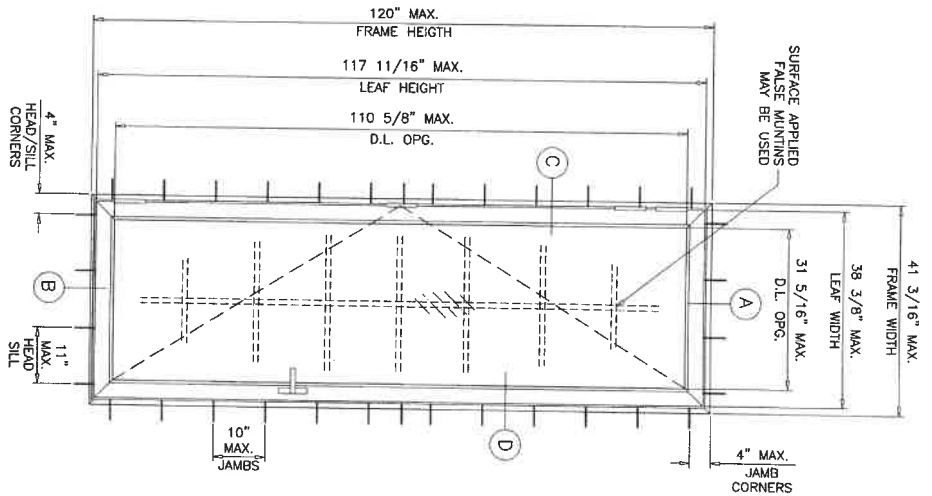
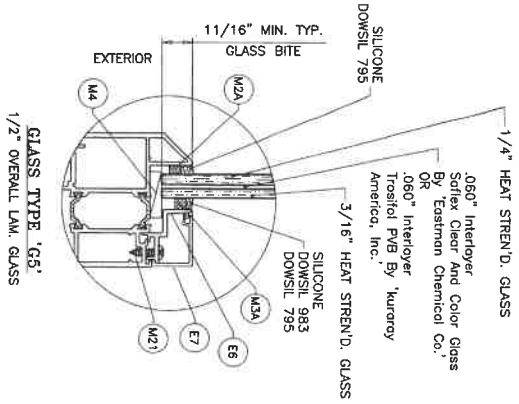
- A- CONTRACTOR TO BE RESPONSIBLE FOR THE SELECTION, PURCHASE AND INSTALLATION OF THIS PRODUCT BASED ON THIS PRODUCT EVALUATION ON THIS DOCUMENT. DOES NOT DEVIATE FROM THE CONDITIONS DETAILD.
- B- THIS PRODUCT EVALUATION DOCUMENT WILL BE CONSIDERED INVALID IF ALTERED BY ANY MEANS.
- C- SITE SPECIFIC PROJECTS SHALL BE PREPARED BY A BLDG. REGISTERED ENGINEER OR ARCHITECT WHICH WILL BECOME THE RESPONSIBLE FOR THE PROPER USE OF THE P.E.D. ENGINEER OF RECORD, ACTING AS A DELEGATED ENGINEER TO THE P.E.D. ENGINEER SHALL SUBMIT TO THIS LATTER THE SITE SPECIFIC DRAWINGS FOR REVIEW.
- D- THE P.E.D. SHALL BEAR THE DATE AND ORIGINAL SEAL AND SIGNATURE OF THE PROFESSIONAL ENGINEER OF RECORD THAT PREPARED IT.



date:	01-02-17	revisions:	
scale:	1/2"=1'-0"	no	date
dr. by:	TARIQ	C	04.16.19
chk. by:		D	10.12.20
		E	02.09.21
		F	07.31.23

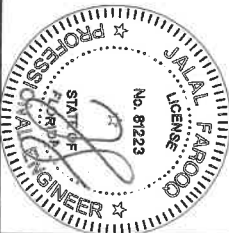
ES-46T THERMAL ALUM FRENCH DOOR (S.M.I.)  
E.S. WINDOWS, LLC  
3550 N.W. 49 STREET  
MIAMI, FL. 33142  
TEL. (305) 638-5151 FAX. (305) 638-5158

**AL-FAROOQ CORPORATION**  
ENGINEERS & PRODUCT DEVELOPMENT  
9360 SUNSET DRIVE, SUITE 220  
MIAMI, FLORIDA 33173 (C.A.N. 3538)  
TEL. (305) 264-8100 FAX. (305) 262-6978  
COMP-ANL-W17-08ES



GLASS TYPE 'G5'  
 MAXIMUM DESIGN LOAD RATING = + 100.0 PSF  
 (FOR SIZES SHOWN ABOVE OR SMALLER) - 120.0 PSF  
 AS PERMITTED BY FBC  
 DOOR HEIGHT AND WIDTH SIZE MUST COMPLY  
 EGRESS REQUIREMENTS PER FBC AS APPLICABLE.

Sealed: 8/1/2023



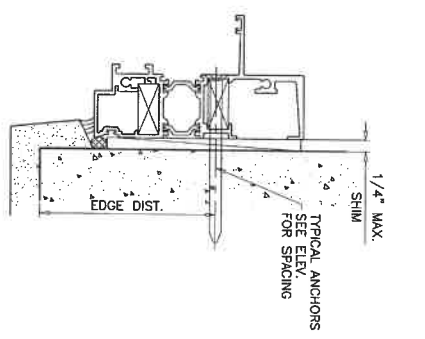
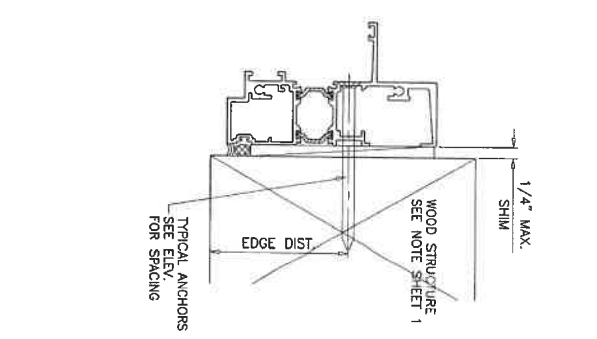
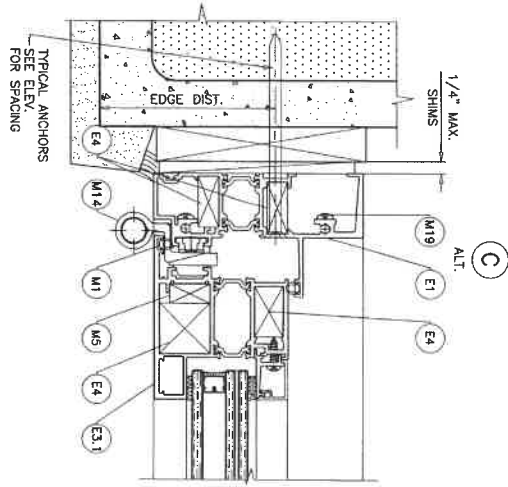
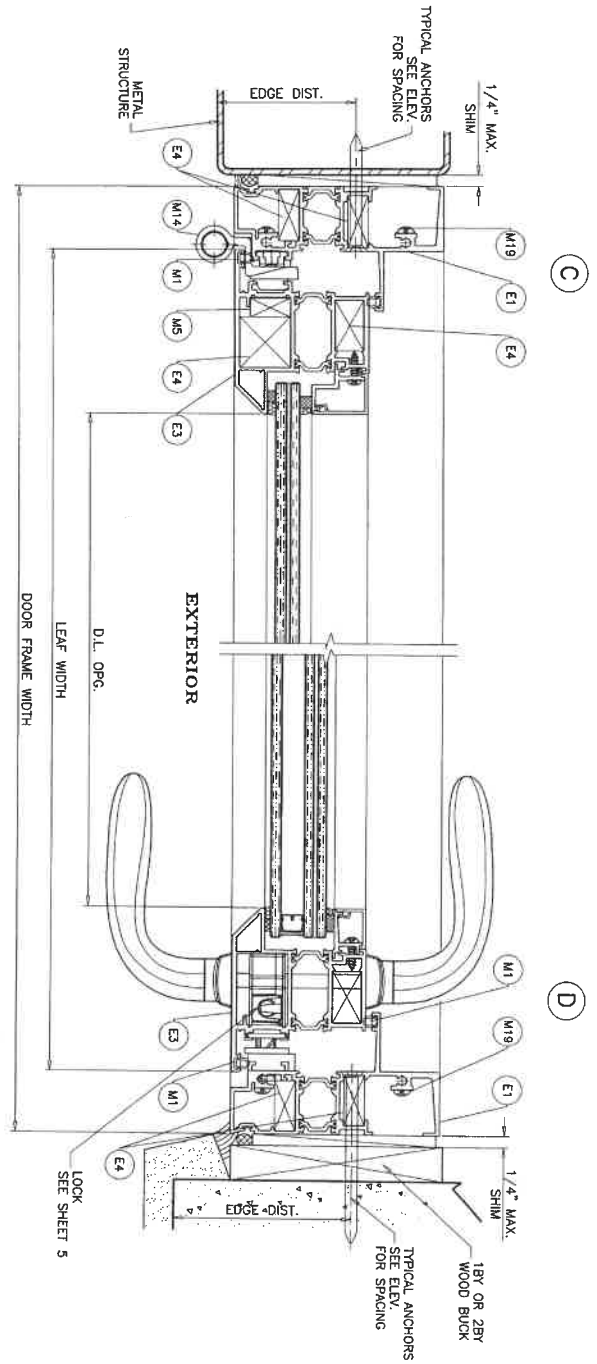
drawing no. <b>W17-08</b>	date: 01-02-17	revisions:
	scale: 1/2"=1'-0"	no. date by description
	dr. by: TARIQ	
	chk. by:	

ES-46T THERMAL ALUM FRENCH DOOR (S.M.I.)  
**E.S. WINDOWS, LLC**  
 3550 N.W. 49 STREET  
 MIAMI, FL. 33142  
 TEL. (305) 638-5151 FAX. (305) 638-5158

**AL-FAROOQ CORPORATION**  
 ENGINEERS & PRODUCT DEVELOPMENT  
 9360 SUNSET DRIVE, SUITE 220  
 MIAMI, FLORIDA 33173 (C.A.N. 3538)  
 TEL. (305) 264-8100 FAX. (305) 262-6978



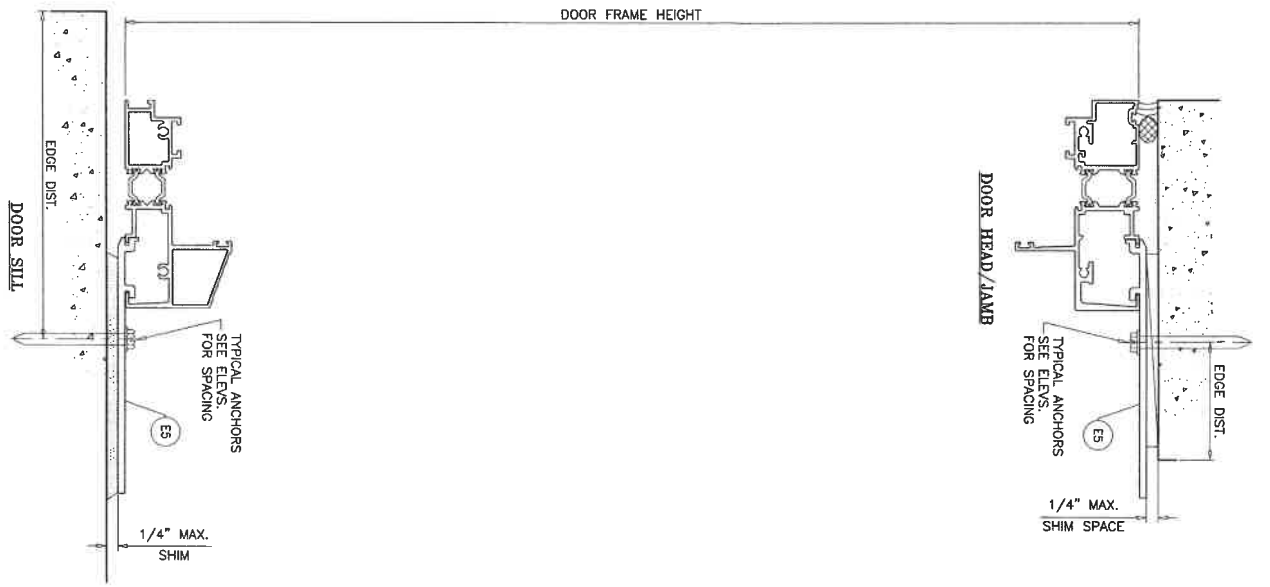




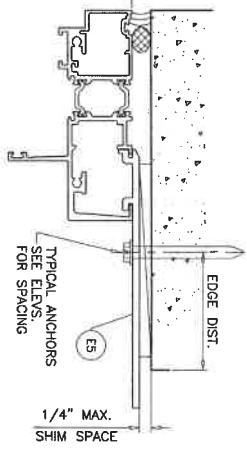
Sealed: 8/1/2023

FL #21835

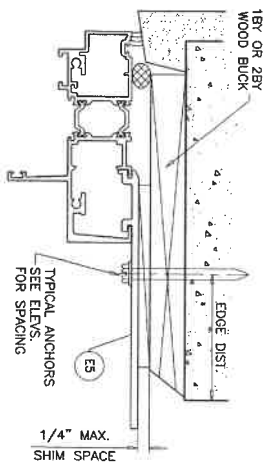
drawing no. <b>W17-08</b>	date: 01-02-17	revisions:	ES-46T THERMAL ALUM FRENCH DOOR (S.M.I.)	<b>AL-FAROOQ CORPORATION</b> ENGINEERS & PRODUCT DEVELOPMENT 9360 SUNSET DRIVE, SUITE 220 MIAMI, FLORIDA 33173 (C.A.N. 3538) TEL. (305) 264-8100 FAX. (305) 262-6978						
	scale: 3/8" = 1"	<table border="1"> <thead> <tr> <th>no.</th> <th>date</th> <th>by</th> <th>description</th> </tr> </thead> <tbody> <tr> <td> </td> <td> </td> <td> </td> <td> </td> </tr> </tbody> </table>				no.	date	by	description	
no.	date	by	description							
dr. by: TARIQ	chk. by:	COMP-ANL W17-08ES								



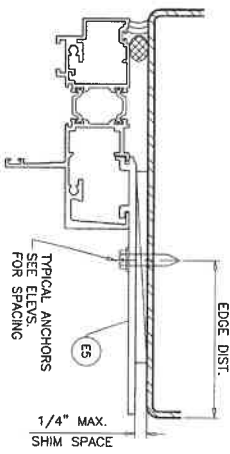
DOOR HEAD/JAMB



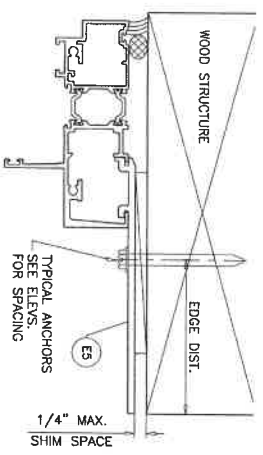
DOOR HEAD/JAMB



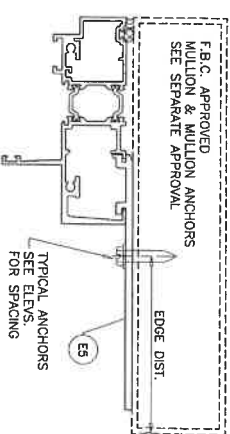
DOOR HEAD/JAMB



DOOR HEAD/JAMB



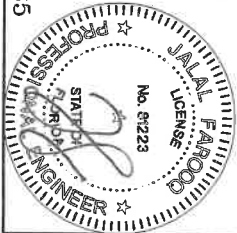
DOOR HEAD/JAMB



INSTALLATION DETAILS WITH STRAP ANCHOR

Sealed: 8/1/2023

FL #21835



no.	date	by	description

ES-46T THERMAL ALUM FRENCH DOOR (S.M.I.)  
**E.S. WINDOWS, LLC**  
 3550 N.W. 49 STREET  
 MIAMI, FL. 33142  
 TEL. (305) 638-5151 FAX. (305) 638-5158

**AL-FAROOQ CORPORATION**  
 ENGINEERS & PRODUCT DEVELOPMENT  
 9360 SUNSET DRIVE, SUITE 220  
 MIAMI, FLORIDA 33173 (C.A.N. 3538)  
 TEL. (305) 264-8100 FAX. (305) 262-6978



ITEM #	PART #	REQD.	DESCRIPTION	MATERIAL	MANF./SUPPLIER/REMARKS
E1	ES-451-501	3	DOOR FRAME HEAD/JAMB	6063-T6	-
E2	ES-451-502	1	FRAME SILL	6063-T6	-
E2.1	ES-451-004	1	ALT. FRAME SILL	6063-T6	-
E3	ES-451-503	4	LEAF STILE	6063-T6	-
E3.1	ES-451-051	4	ALT. LEAF STILE	6063-T6	-
E4	ES-451-011	AS REQD.	CORNER KEY	6063-T6	-
E5	ES-451-019	AS REQD.	STRAP ANCHOR CLIP	6063-T6	-
E6	ES-451-024	4/ LEAF	GLASS STOP (INSUL. LAM. GLASS)	6063-T6	-
E6A	ES-461-002	4/ LEAF	GLASS STOP (LAM. GLASS)	6063-T6	-
E7	ES-451-025	4/ LEAF	GLASS STOP COVER (INSUL. LAM. GLASS)	6063-T6	-
E7A	ES-461-003	4/ LEAF	GLASS STOP COVER (LAM. GLASS)	6063-T6	-
M1	ES-P251-G05	AS REQD.	VENT GASKET	EPDM	DUROMETER 70±5 SHORE A
M2	-	AS REQD.	SINGLE FACE TAPE (1/8" X 1/4")	POLYURETHANE	-
M2A	V2200	AS REQD.	SINGLE FACE TAPE (3/16" X 1/4")	POLYURETHANE	NORTON
M3	-	AS REQD.	SINGLE FACE TAPE (3/16" X 3/8")	POLYURETHANE	-
M3A	V2200	AS REQD.	SINGLE FACE TAPE (1/4" X 1/4")	POLYURETHANE	NORTON
M4	80-356	2/ LITE	SETTING BLOCKS AT 1/4 POINTS (DOOR)	EPDM	DUROMETER 80±5 SHORE A
M5	0337	AS REQD.	CORNER JOINT	DIE CAST ALUMINUM	-
M14	A11990003 SIL	3	KLEMBAND G HINGES	ALUMINUM	-
M17	WPSA-NI	2	WEEP PAD (3/4" X 3/4" X 2" LONG)	RETICULATED FOAM	30PPF FOAM, AT WEEP HOLES
M18	WACL	2	WEEP HOLE COVER	RIGID PVC	-
M19	#12 X 1-3/4"	AS REQD.	FRAME ASSEMBLY FASTENERS	ST/ST	PH SMS
M21	#8 X 5/8"	AS REQD.	GLASS STOP FASTENERS, AT 12" O.C.	ST/ST	PH SMS
M22	1673	AS REQD.	20 MM OFFSET	POLYAMIDE	-

**LOCK SINGLE DOOR:**

**ACTIVE LEAF:**

SURFACE MOUNT 9 POINT LOCK SYSTEM KEY OPERATED ON EXTERIOR AND THUMB TURN ON INTERIOR LEVER TYPE HANDLE AT 38" FROM BOTTOM ACTIVATES SHOOT BOLTS ENGAGING AT HEAD AND SILL AND (7) BOLTS ENGAGING AT JAMB/INACTIVE STILE FASTENED WITH  
 (1) 12-28 X 2 FH MACHINE SCREWS  
 (2) 8-36 X 1/2" FH MACHINE SCREWS

**JAMB FACING LOCK:**

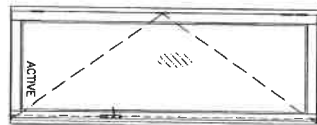
(6) SURFACE MOUNT METALLIC KEEPERS AT 5", 10", 24", 43", 68" AND 73" FROM BOTTOM FASTENED WITH  
 (1) 10-32 X 5/16" FH MACHINE SCREWS  
 (1) SURFACE MOUNT METALLIC KEEPERS AT 38" FROM BOTTOM FASTENED WITH  
 (3) #8 X 3/4" FH SMS

**HINGES:**

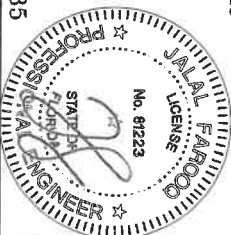
SURFACE MOUNT METALLIC PIVOT HINGES  
 (3) HINGES FOR DOORS UP TO 108" HEIGHT  
 (4) HINGES FOR DOORS ABOVE 108" HEIGHT  
 BOTTOM HINGE AT 8" FROM BOTTOM  
 TOP HINGE AT 8" AND 16" FROM TOP  
 ADDL. HINGE FOR DOORS ABOVE 108" HEIGHT AT MIDSPAN FASTENED TO FRAME AND LEAF WITH  
 (2) 1/4-28 X 1/2" FH MACHINE SCREWS  
 AND (1) METALLIC BACKING PLATE.  
 BACKING PLATE FASTENED WITH  
 (2) 1/4-28 X 3/8" SOCKET SET SCREWS

**SEALANTS:**

ALL FRAME JOINTS AND SEAMS SEALED WITH SCHNEE--MOREHEAD SM5504 ACRYL--R SEAM SEALER.



Sealed: 8/1/2023



FL #21835

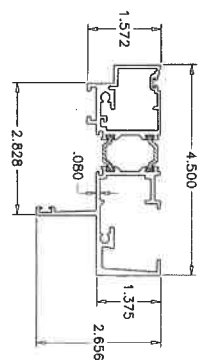
date:	01-02-17	revisions:	
scale:	3/8" = 1"	no.	
dr. by:	TARIQ	by	
chk. by:		description	

ES-46T THERMAL ALUM FRENCH DOOR (S.M.I.)  
**E.S. WINDOWS, LLC**  
 3550 N.W. 49 STREET  
 MIAMI, FL. 33142  
 TEL. (305) 638-5151 FAX. (305) 638-5158

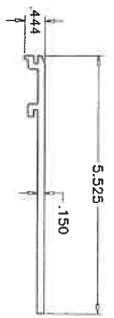
**AL-FAROOQ CORPORATION**  
 ENGINEERS & PRODUCT DEVELOPMENT  
 9360 SUNSET DRIVE, SUITE 220  
 MIAMI, FLORIDA 33173 (C.A.N. 3538)  
 TEL. (305) 264-8100 FAX. (305) 262-6978



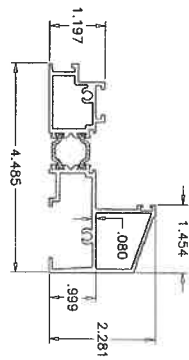




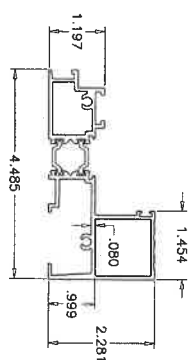
E1 DOOR FRAME HEAD/JAMB



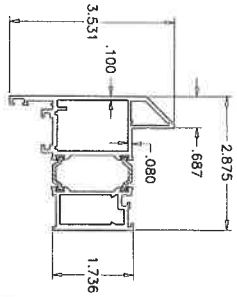
E5 STRAP ANCHOR CLIP



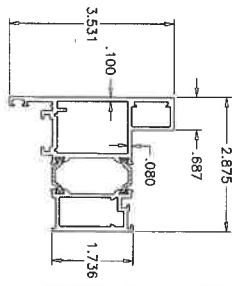
E2 FRAME SILL



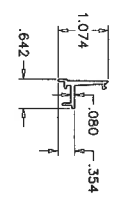
E2.1 ALT. FRAME SILL



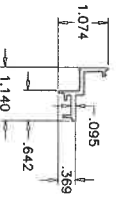
E3 LEAF STILE



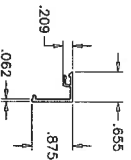
E3.1 ALT. LEAF STILE



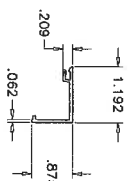
E6 GLASS STOP (DOOR)  
(INSUL. LAM. GLASS)



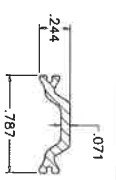
E6A GLASS STOP (DOOR)  
(LAM. GLASS)



E7 GLASS STOP COVER (DOOR)  
(INSUL. LAM. GLASS)



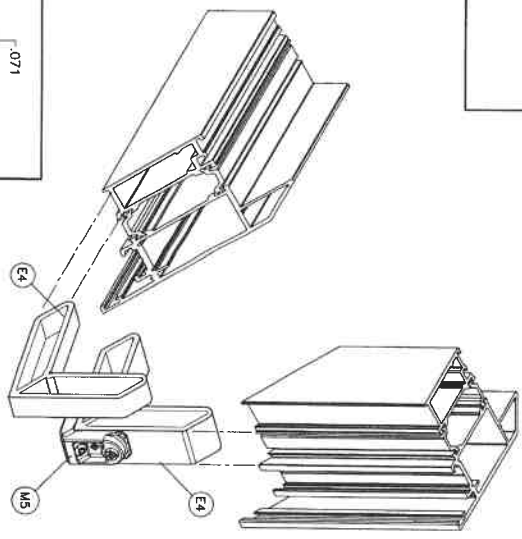
E7A GLASS STOP COVER (DOOR)  
(LAM. GLASS)



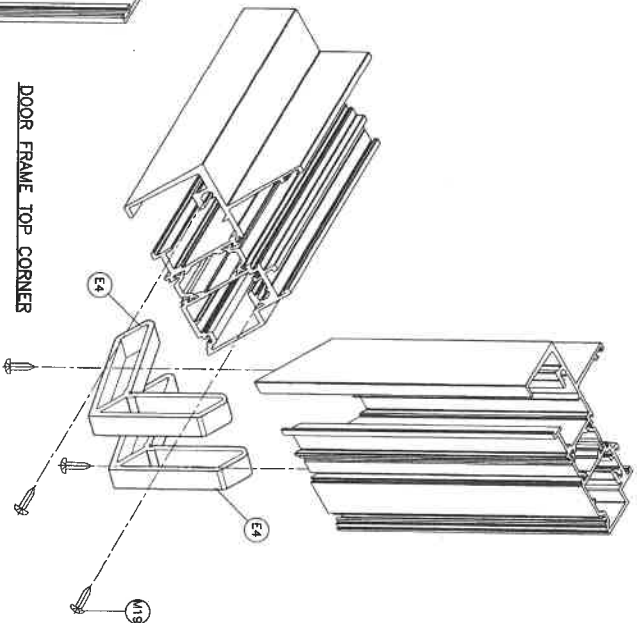
(M22) 20MM OFFSET

TECATHERM®66 GF INSULBARS  
SCALE 1:1  
MATERIAL = POLYAMIDE  
TENSILE STRENGTH = 13031 PSI  
RATE OF BURN = .752 IN./MIN.  
SELF IGNITION TEMP. = 793° F  
FLASH IGNITION TEMP. = 781° C  
SMOKE DENSITY = 1.63

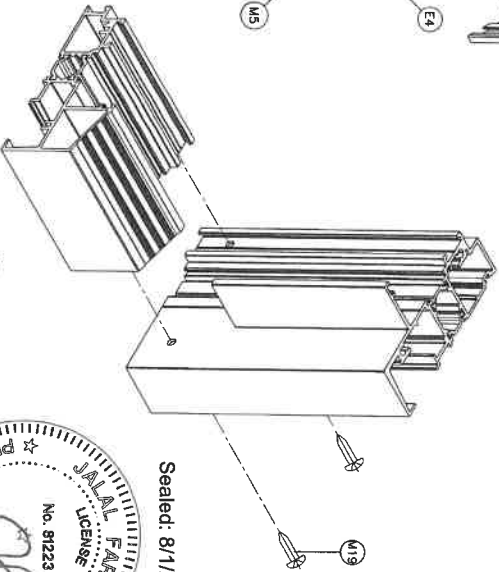
DOOR LEAF CORNER



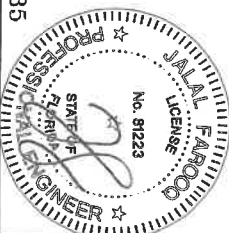
DOOR FRAME TOP CORNER



THRESHOLD CORNERS



Sealed: 8/1/2023



FL #21835

date:	01-02-17
scale:	3/8" = 1"
dr. by:	TARIO
chk. by:	

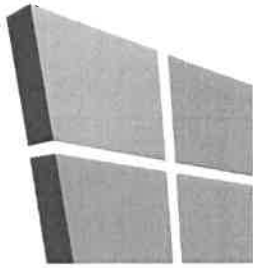
revisions:			
no.	date	by	description

ES-46T THERMAL ALUM FRENCH DOOR (S.M.I.)  
E.S. WINDOWS, LLC  
3550 N.W. 49 STREET  
MIAMI, FL. 33142  
TEL. (305) 638-5151 FAX. (305) 638-5158

**AL-FAROOQ CORPORATION**  
ENGINEERS & PRODUCT DEVELOPMENT  
9360 SUNSET DRIVE, SUITE 220  
MIAMI, FLORIDA 33173 (C.A.N. 3538)  
TEL. (305) 264-8100 FAX. (305) 262-6978



COMP-ANL\W17-08ES



# AL-FAROOQ CORPORATION

CONSULTING ENGINEERS & PRODUCT DEVELOPMENT

## PRODUCT APPROVAL EVALUATION RULE CHAPTER #61G20-3 • METHOD 1 OPTION D

FL 21835

Date: 07/31/2023

**Detailed Product Description:**

**Manufacturer:** E.S. WINDOWS, LLC.

**Manufacturer Address:** 3550 N.W. 49 STREET – MIAMI, FL. 33142

**Model Name:** SERIES ES-46T THERMAL ALUMINUM OUTSWING ENTRANCE DOOR

**Maximum Load:** +100 PSF, -120 PSF (Small Missile Impact)

**Installation Drawings #** W17-08

This product complies with the High Velocity Hurricane Zone (HVHZ) testing requirements.  
For maximum sizes, combination of span vs loads and anchor type refer to installation drawings.

Comparative analysis used  Yes  No

### Mandatory Tests (Tested in accordance with AAMA 101/I.S.2/NAFS/TAS-202)

TEST	DESCRIPTION	TEST LOCATION	TEST REPORT DATE	TEST REPORT #	Test Sealed by
ASTM E283	Air Infiltration Leakage	Fenestration Testing Lab, Inc	08/04/2015 02/05/2021	FTL-8179 FTL-12233	Idalmis Ortega, P.E.
ASTM E331 OR ASTM 547 & TAS 202	Water Penetration	Fenestration Testing Lab, Inc	08/04/2015 02/05/2021	FTL-8179 FTL-12233	Idalmis Ortega, P.E.
ASTM E330 & TAS 202	Uniform Static Air Press.	Fenestration Testing Lab, Inc	08/04/2015 02/05/2021	FTL-8179 FTL-12233	Idalmis Ortega, P.E.
AAMA 1304	Forced Entry Test	Fenestration Testing Lab, Inc	08/04/2015 02/05/2021	FTL-8179 FTL-12233	Idalmis Ortega, P.E.

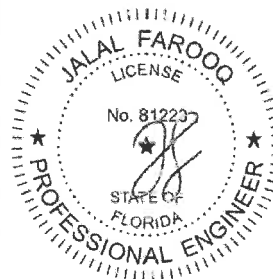
### Supplemental Tests (Tested in accordance with TAS-201 and TAS-203)

TEST	DESCRIPTION	TEST LOCATION	TEST REPORT DATE	TEST REPORT #	Test Sealed by
FBC 1626.3 (TAS 201 & 203)	Small Missile Impact & Cyclic	Fenestration Testing Lab, Inc	08/04/2015 02/05/2021	FTL-8179 FTL-12233	Idalmis Ortega, P.E.

Under the limitations of the attached installation drawings, to the best of my knowledge and ability, the above product conforms to the requirements of the 2023 Florida Building Code.

**Evaluation Report Engineer:**

Jalal Farooq PE # 81223  
Al-Farooq Corporation EB # 3538



Sealed: 8/1/2023